

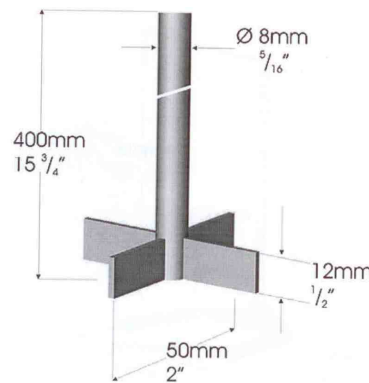


Crossed Blade Impeller

- welded to shaft
- weighs 128g
- very high shear with high vortexing characteristics
- will vortex 5 gallons of water at 900 rpm

Dimensions

Crossed Blade Teflon Coated Impeller
Part Number: A130TF

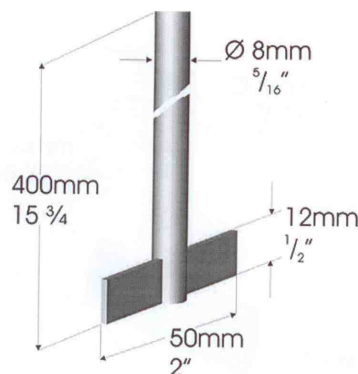


Straight Blade Impeller

- welded to shaft
- weighs 124 g
- high shear with moderate vortexing characteristics
- will vortex 5 gallons of water at 1200 rpm

Dimensions

Straight Blade Teflon Coated Impeller
Part Number: A131TF

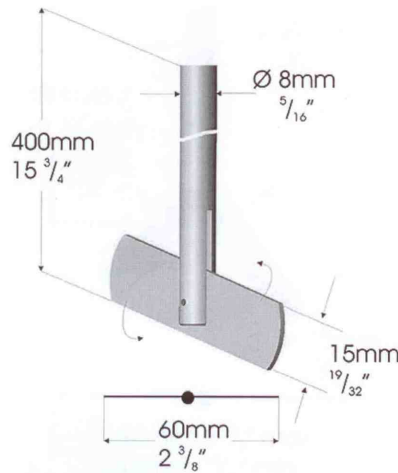


A140

Pivoting Blade Impeller



- pinned to shaft
- weighs 126 g
- moderate shear with moderate vortexing characteristics
- will vortex 5 gallons of water at 800 rpm



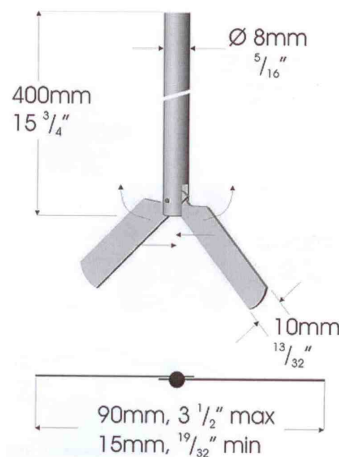
A141

Collapsible Blade Impeller



- pinned to shaft
- weighs 127 g
- high shear radial flow for mixing in carboys or narrow neck flasks
- collapsed blades enter any opening over 10 mm diameter
- will vortex 5 gallons of water at 1000rpm

Dimensions



A150



Square Blade Impeller

- welded to shaft
- weighs 180g
- for large volumes or high viscosities; radial flow with maximum vortexing
- will vortex 5 gallons of water at 450 rpm

Dimensions

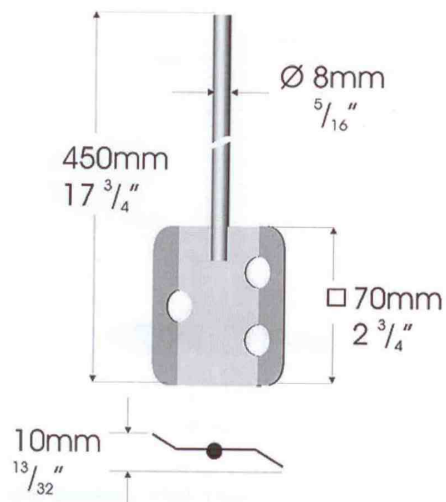
Square Blade Teflon Coated Impeller

Part Number: A150TF

- teflon coated A150

Compact Square Blade Impeller

Part Number: A250



A160 Pitched 3-Blade Propeller with Shaft



- set screws fasten propeller to shaft
- weighs 181 g
- low shear, high top-to-bottom (axial) pumping capacity with high gas injection
- will vortex 5 gallons of water at 3600 rpm

Dimensions

Pitched 3-Blade Propeller Only
Part Number: A161



- set screws fasten propeller to an 8 mm (5/16") diameter shaft
- can add multiple propellers to one shaft

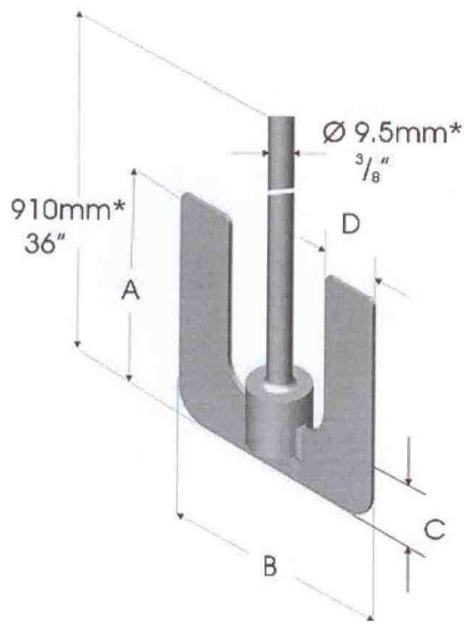


U Shaped Anchor Paddles
 Part Number: U022 or U044 or U055 or U510



- blade, hub and shaft welded together
- stainless steel 316L

Dimensions



	A	B	C	D
U022	50mm / 2"	50mm / 2"	11mm / 0.5"	11mm / 0.5"
U044	101mm / 4"	101mm / 4"	25mm / 1"	25mm / 1"
U055	127mm / 5"	127mm / 5"	25mm / 1"	25mm / 1"
U510	127mm / 5"	254 mm / 10"	50 mm / 2"	50mm / 2"

* U022 has a shaft length of 406mm (16") and the Ø is 8mm (5/16")